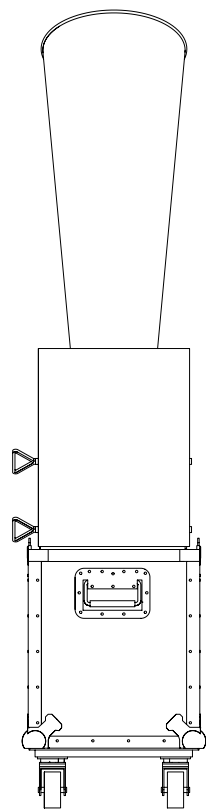
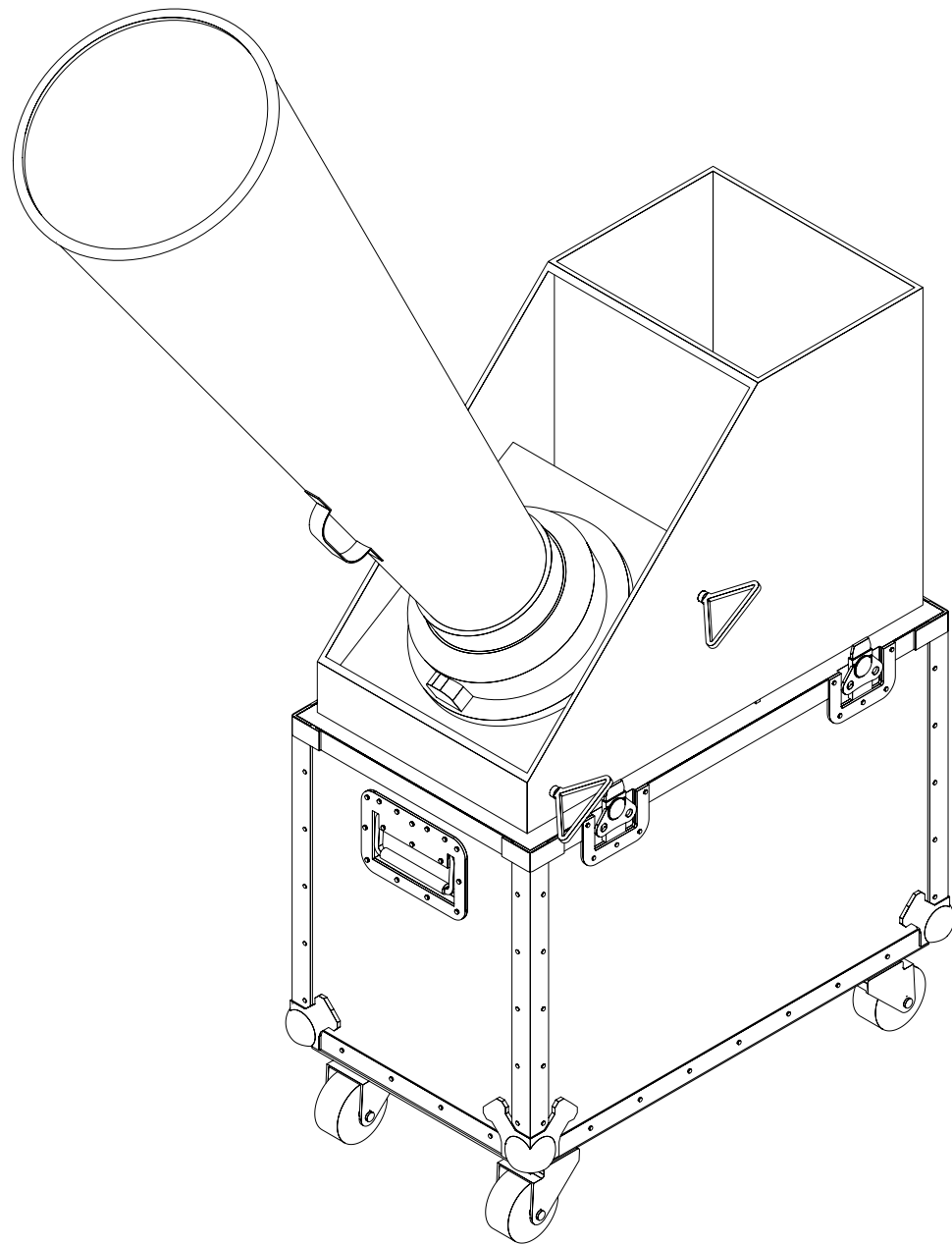


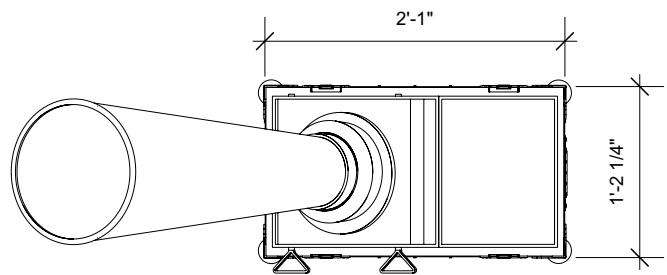
2 BIG BLASTER™ FRONT EL
SCALE: 3/4" = 1'-0"




3 BIG BLASTER™ SIDE EL
SCALE: 3/4" = 1'-0"



4 BIG BLASTER™ ISO
SCALE: 1 1/2" = 1'-0"



1 BIG BLASTER™ PLAN
SCALE: 3/4" = 1'-0"

		
<small>Artistry in Motion, Inc.® 19411 Londelius Street Northridge, CA 91324 818.994.7388 confetti@artistryinmotion.com</small>		
<small>Title</small> Big Blaster™		
<small>Drawing Scale</small> As Noted	<small>Drawn By</small> GvZ	<small>Date</small> 9/5/2024
<small>CAD File Name</small> BigBlaster.vwx		