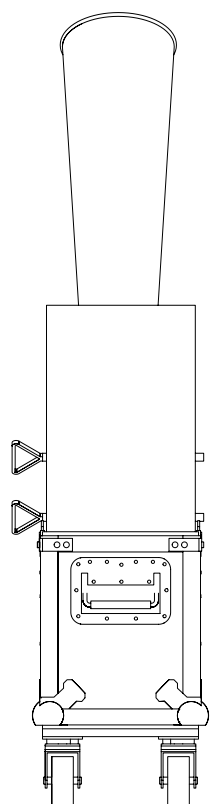
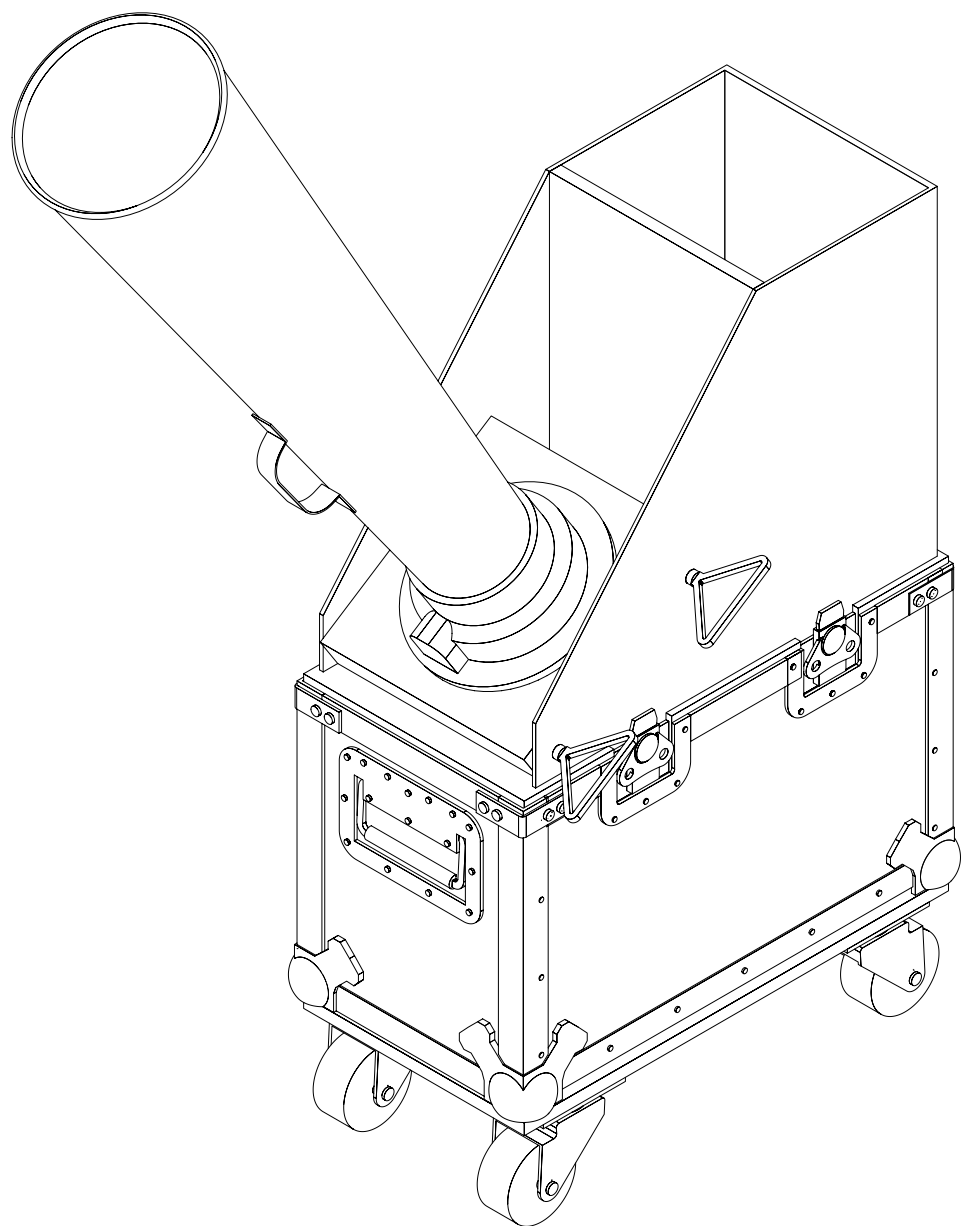


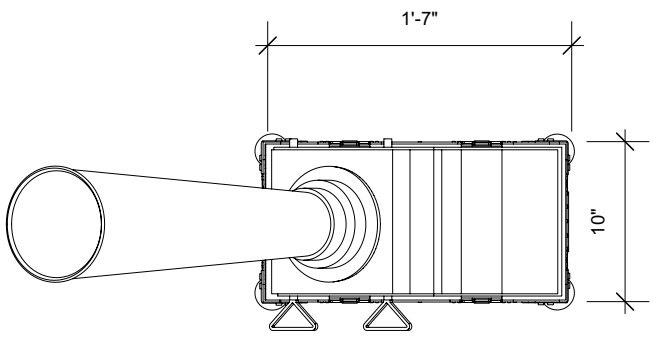
2 MINI BLASTER™ FRONT EL  
SCALE: 1" = 1'-0"



3 MINI BLASTER™ SIDE EL  
SCALE: 1" = 1'-0"



4 MINI BLASTER™ ISO  
SCALE: 2" = 1'-0"



1 MINI BLASTER™ PLAN  
SCALE: 1" = 1'-0"



Artistry in Motion, Inc.®  
19411 Londelius Street  
Northridge, CA 91324  
818.994.7388  
confetti@artistryinmotion.com

|                                  |                 |                  |
|----------------------------------|-----------------|------------------|
| Title<br>Mini Blaster™           |                 |                  |
| Drawing Scale<br>As Noted        | Drawn By<br>GvZ | Date<br>9/5/2024 |
| CAD File Name<br>MiniBlaster.vwx |                 |                  |